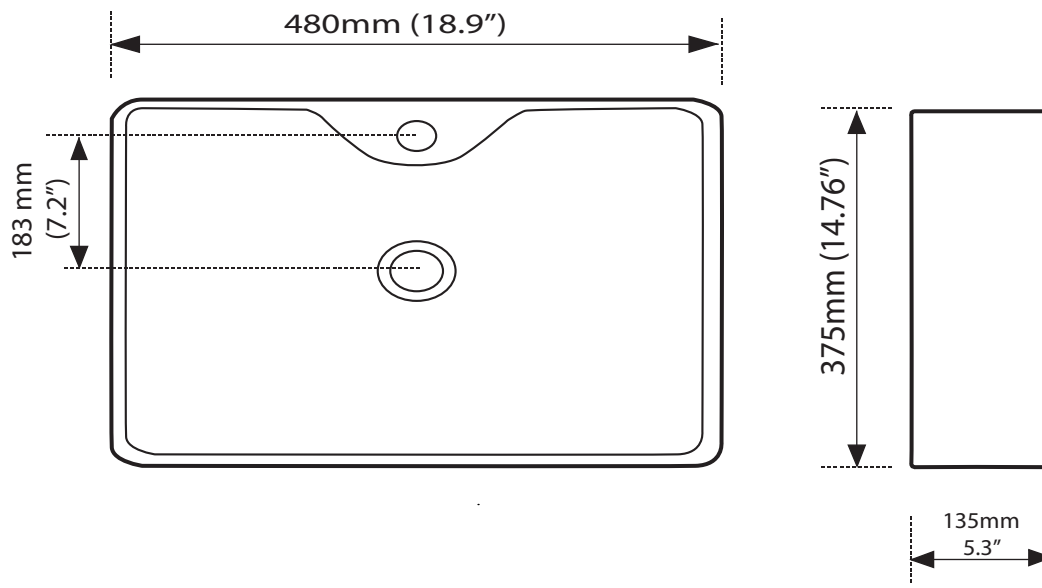




CERAMIC
BASIN

BASIN
CÉRAMIQUE

CCB-888



* Dimensions may vary +/- 1/4" (6mm) / Les dimensions peuvent varier de +/- 1/4" (6mm)



DIMENSIONS	WEIGHT POIDS	MATERIAL MATERIEL	DRAIN HOLE DIAMETER DIAMÈTRE DU TROU DE VIDANGE
18.9 x 14.76 x 5.3" 480 x 375 x 135 mm	22.3 lbs 10.15 Kg	Ceramic Céramique	1.77" 45mm
FINISH FINITION	DRAIN LOCATION LOCATION DU DRAIN	PIECES PIÈCES	COMPLIANCE CERTIFICATIONS:
White Blanc	Center Centre	1 pc	Uniform Plumbing Code National Plumbing Code of Canada ASME A112.19.2-2018/CSA B45.1-18